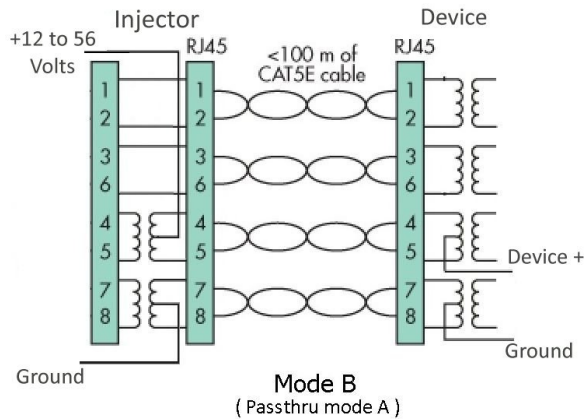
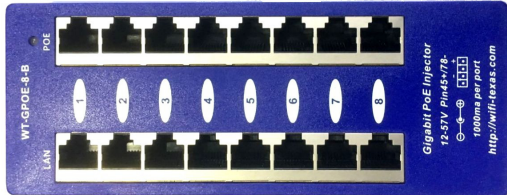


GPOE-8B for Ubiquiti and Mikrotik power for 8 Gigabit devices with 24 volts



- 8 Port Gigabit Ethernet Injector
 - 8 Shielded RJ-45 LAN
 - 8 Shielded RJ-45 LAN+POE
 - 10/100/1000 data rates
 - Injector: 180 mm x 62mm x 23mm including 2x 10mm tabs
 - Power supply: 122mm x 53mm x 34mm plus 12mm on each side for the tab
 - Wall mount - stackable
 - 1000 ma automatic resettable fuse on each port
 - Same voltage to all ports power is shared as needed by the devices
 - Use with any Ethernet switch
 - PoE or non-PoE switches
 - Standard power connector
 - 2.1mm x 5.5mm
 - Additional Phoenix DC connector
 - 3.5mm model 1844236
 - pin 2 (minus) pin 4 (plus)
 - LED status indicator
 - Green standard polarity
 - Red for Reverse polarity
 - Operating Temperature
 - 0 to 65 deg C
 - Mode B operation
 - pins 7,8 (-)
 - pins 4,5 (+)
 - reversible with the WS-Cisco adapter
 - Mode A passthru
 - Technical support: poe-world.com
 - Ideal for IP Cameras, VOIP phone, WIFI Access Points
-
- Select the power supply you need
 - 30, 60 or 120 watts
 - Power is always on
 - no autonegotiation

power input

| Device Spec | Mode B - DC Input RJ45 pins 4,5+ 7,8- | Note |
|----------------------|---------------------------------------|----------------------------------|
| Ubiquiti Mikrotik | 24 volts | Up to 24 watts per port |
| Canopy Cambium | 24 Volts reverse | Use the WS-Cisco Reversing cable |